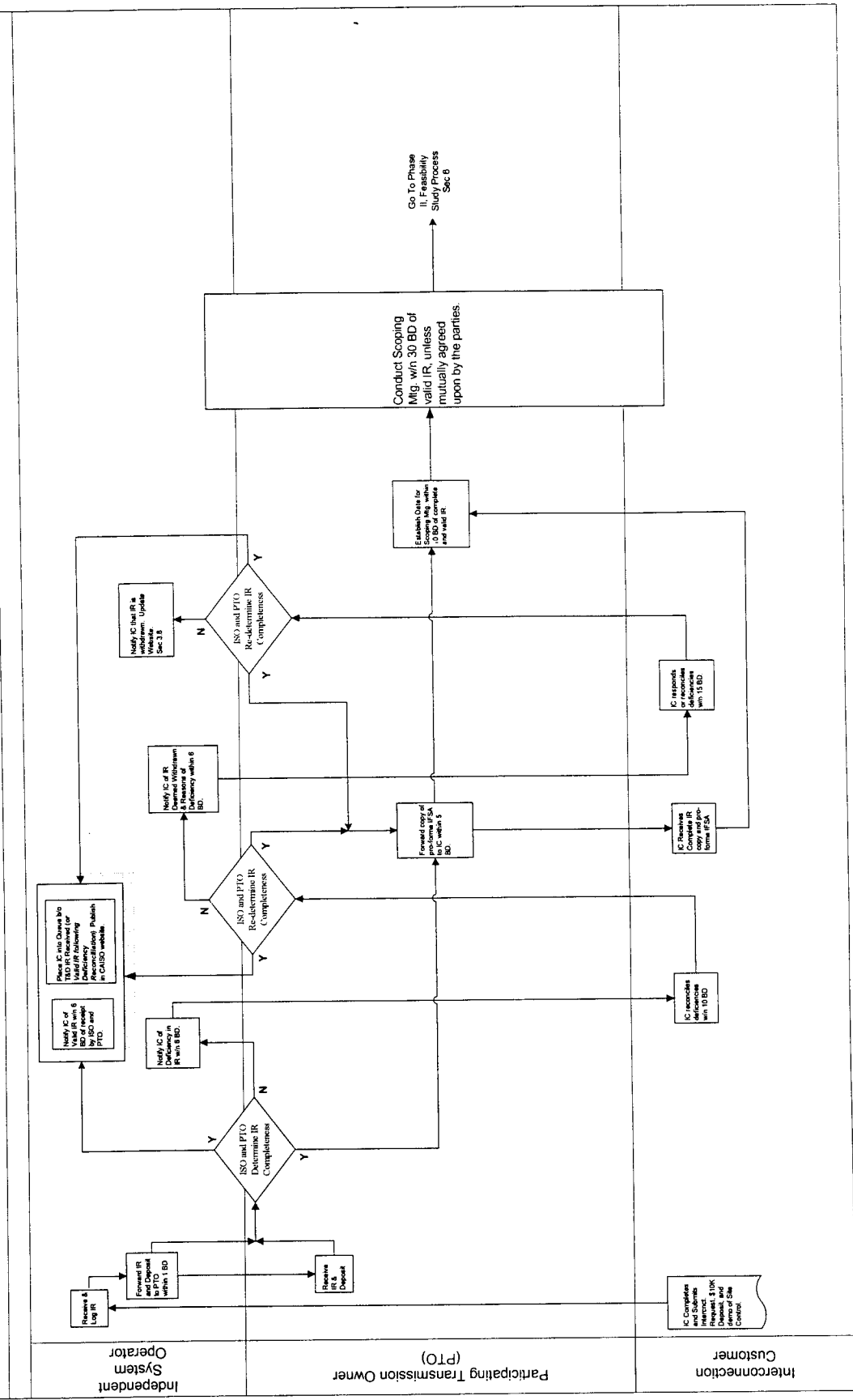


ATTACHMENT M

Interconnection Request Process



Optional Interconnection Study (LGIP, Section 10.1)

