



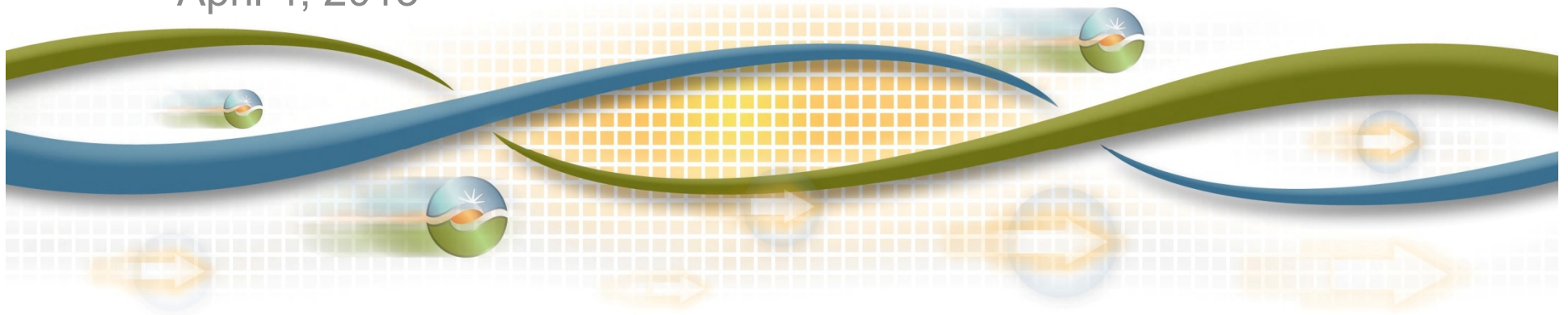
2014 and 2018 Final LCR Study Results - North Coast/ North Bay

Irina Green

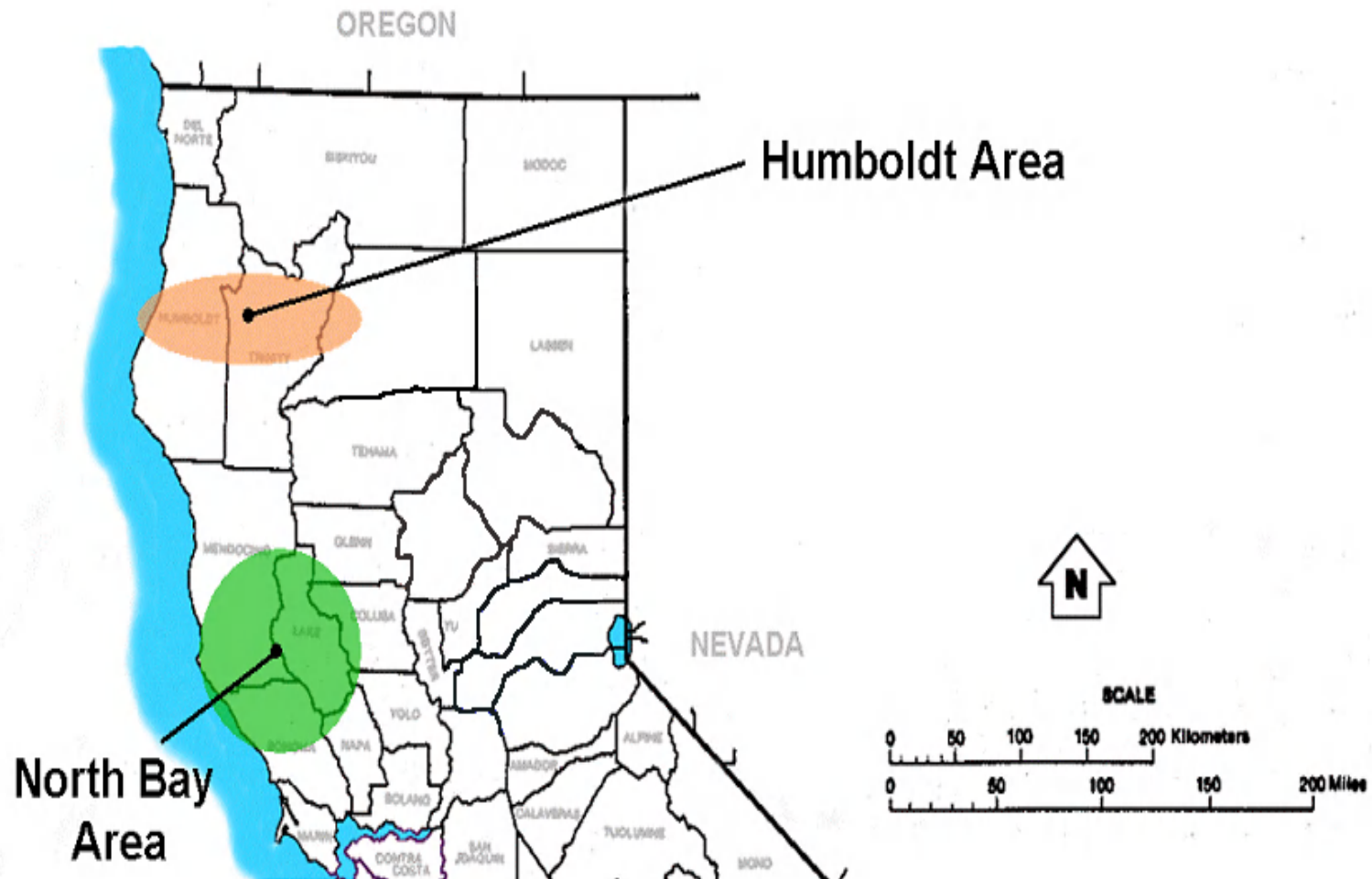
Regional Transmission Engineering Lead

Stakeholder Conference Call

April 4, 2013



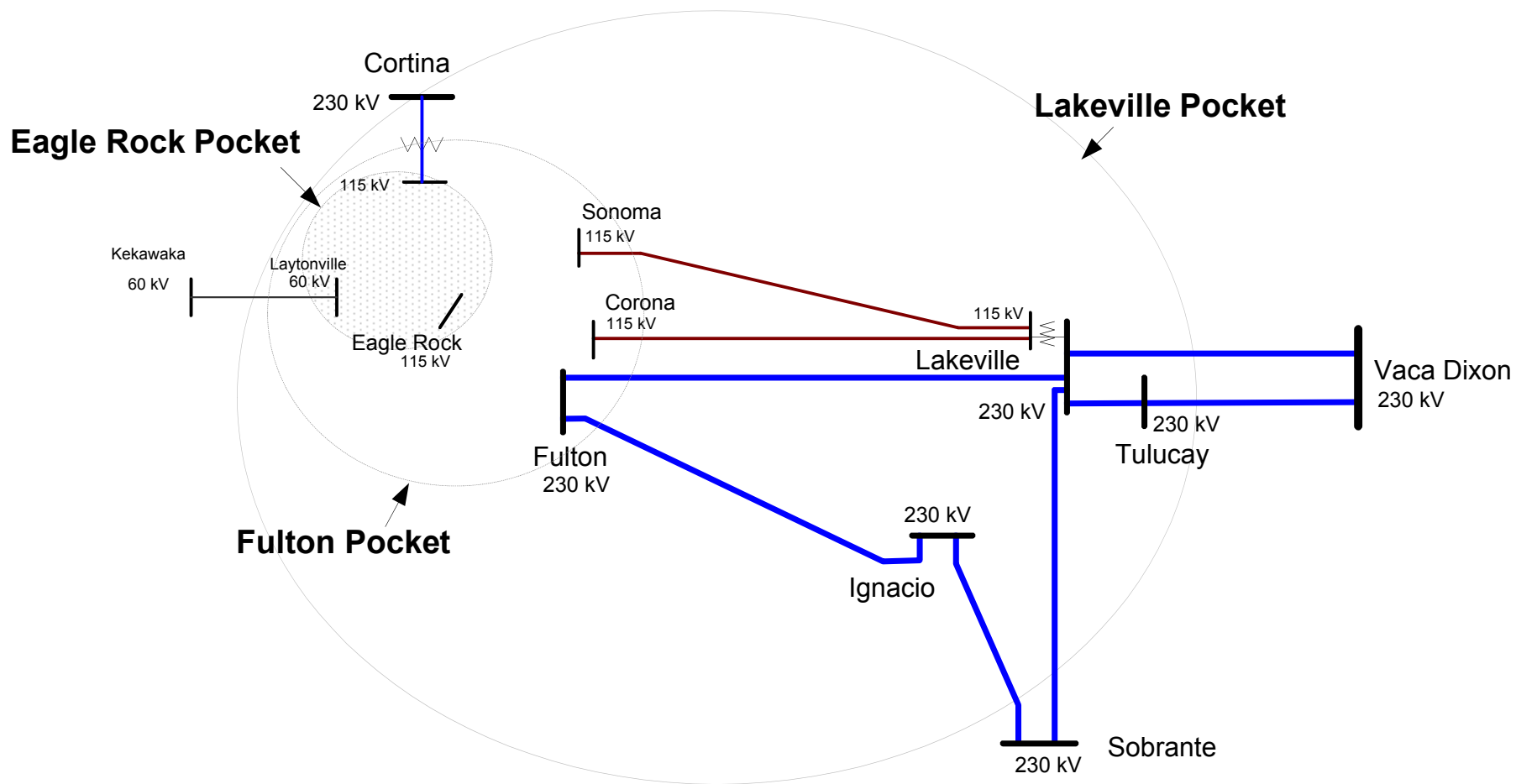
Humboldt and North Coast/North Bay



North Coast/Bay Load and Resources (MW)

		2014	2018
Load	=	1425	1520
Transmission Losses	=	40	41
Total Load	=	1465	1561
Market Generation	=	771	771
Wind Generation	=	12	12
Muni Generation	=	122	122
QF Generation	=	16	16
Total Qualifying Capacity	=	921	921

North Coast and North Bay



Eagle Rock Sub-Area

Eagle Rock Sub-area – Category B

Contingency: Cortina-Mendocino 115 kV, with Geysers #11 unit out

2014 LCR need: 195 MW (includes 2 MW of QF/Muni generation)

2018 LCR need: 218 MW (includes 2 MW of QF/Muni generation)

Limiting component: Thermal overload on Eagle Rock-Cortina
115 kV line

Eagle Rock Sub-area – Category C

Contingency: Cortina-Mendocino 115 kV and Geysers #3-Geysers #5
115 kV line

2014 LCR need: 210 MW (includes 2 MW of QF/Muni generation)

2018 LCR need: 233 MW (includes 2 MW of QF/Muni generation)

Limiting component: Thermal overload on Eagle Rock-Cortina
115 kV line

Fulton Sub-area

Fulton Sub-area – Category C

Contingency: Fulton-Lakeville 230 kV and Fulton-Ignacio 230 kV

2014 LCR need: 316 MW (includes 79 MW of QF/Muni generation)

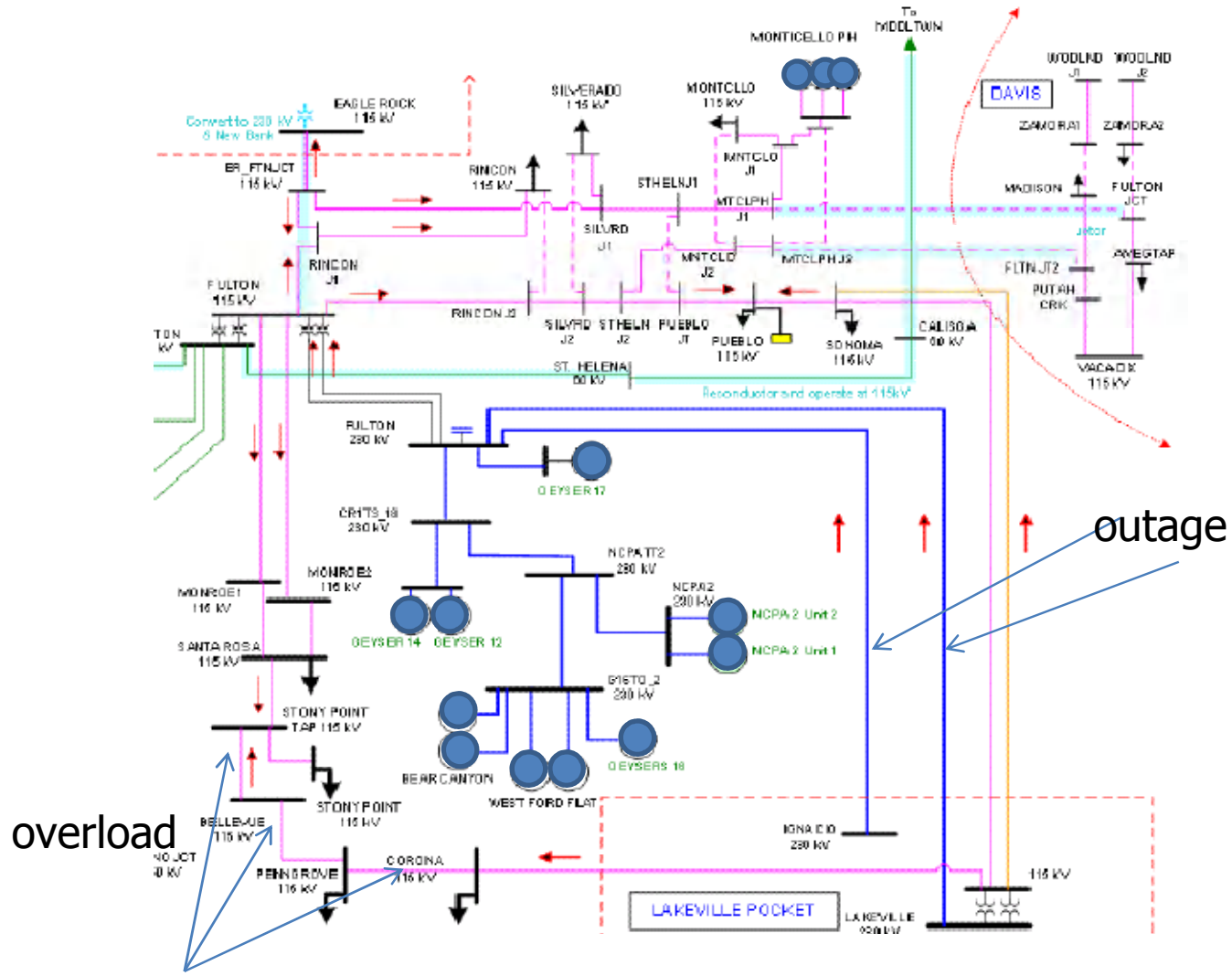
2018 LCR need: 351 MW (includes 79 MW of QF/Muni generation)

Limiting component: Thermal overload on Santa Rosa-Corona
115kV line

Fulton Sub-area – Category B

No requirement.

Fulton Sub-area



Lakeville Sub-area

Lakeville Sub-area (NC/NB Overall) – Category B

Contingency: 2014 - Vaca Dixon-Tulucay 230 kV line with Delta Energy Center power plant out of service

Contingency: 2018 - Vaca Dixon-Tulucay 230 kV line with Geyser 11 power plant out of service

2014 LCR need: 623 MW (includes 138 MW of QF/Muni generation)

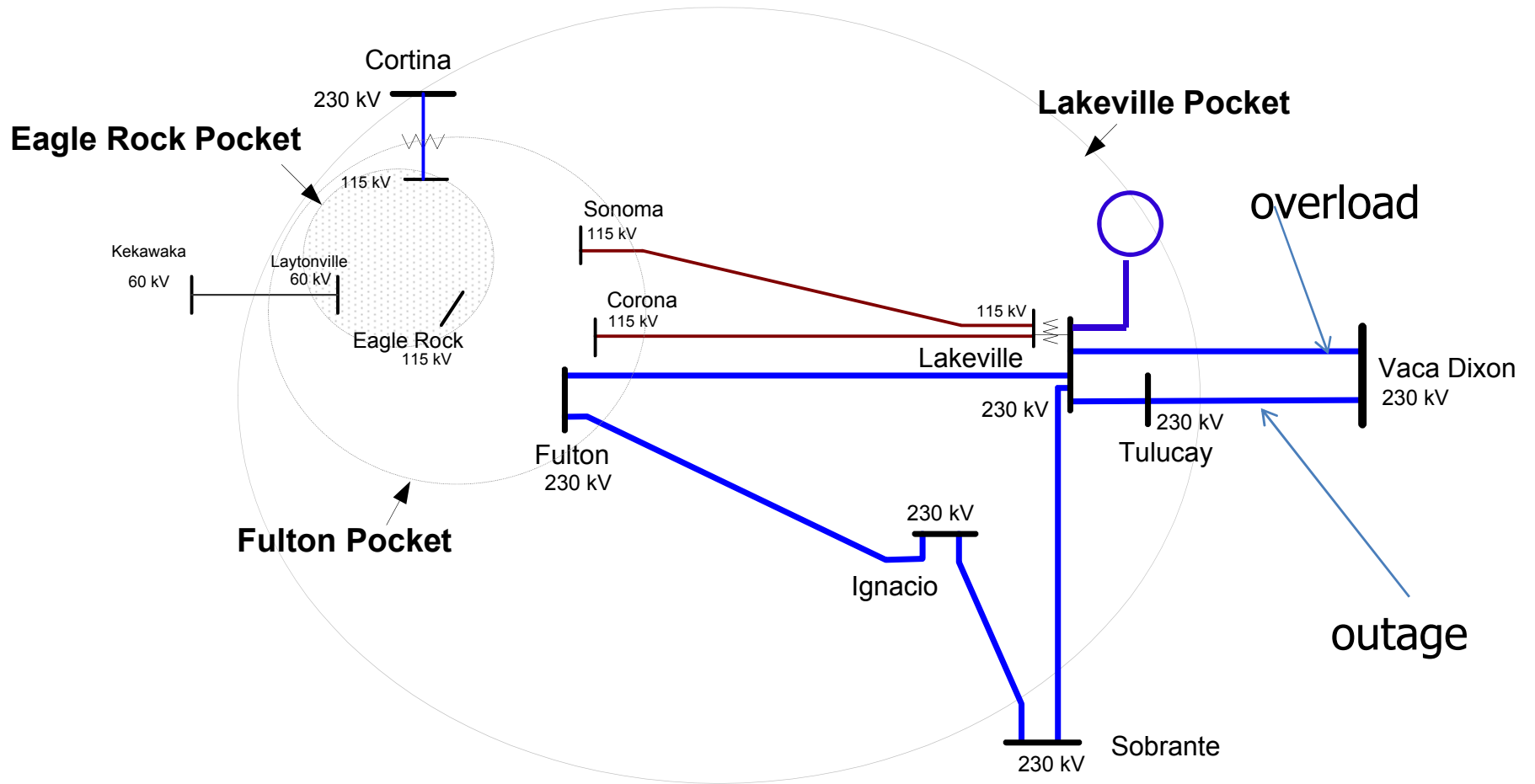
2018 LCR need: 424 MW (includes 138 MW of QF/Muni generation)

Limiting component: Thermal overload on the Vaca Dixon-Lakeville 230 kV line

Lakeville Sub-area (NC/NB Overall) – Category C

Same as above.

Lakeville Sub-area



Changes

Since last year:

1. 2014 load forecast has decreased by 14 MW vs. 2013
2. LCR need has decreased by 6 MW
3. Renewable projects: 2014- small biomass, energy only
and 2018 – wind project, (12 MW), geothermal (32 MW)
4. Vaca Dixon-Lakeville 230 kV Reconductoring Project – 6/2017
5. 2018 load forecast has increased by 23 MW vs. 2017
6. Long-term LCR need has decreased by 22 MW

Since last stakeholder meeting:

1. Updated NQC

Your comments and questions are welcomed

For written comments, please send to: RegionalTransmission@caiso.com