



California ISO
Shaping a Renewed Future

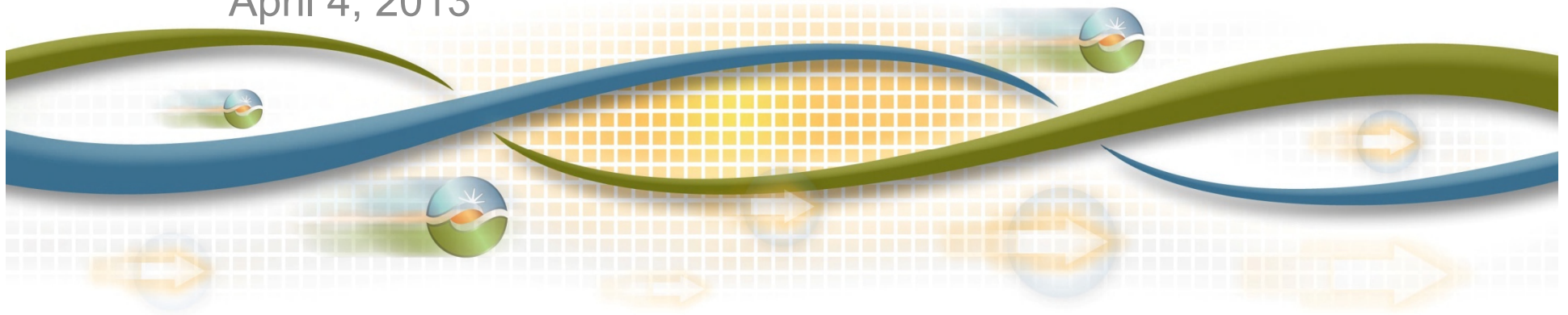
2014 and 2018 Final LCR Study Results - Valley Electric Association

Sushant Barave

Senior Regional Transmission Engineer

Stakeholder Conference Call

April 4, 2013

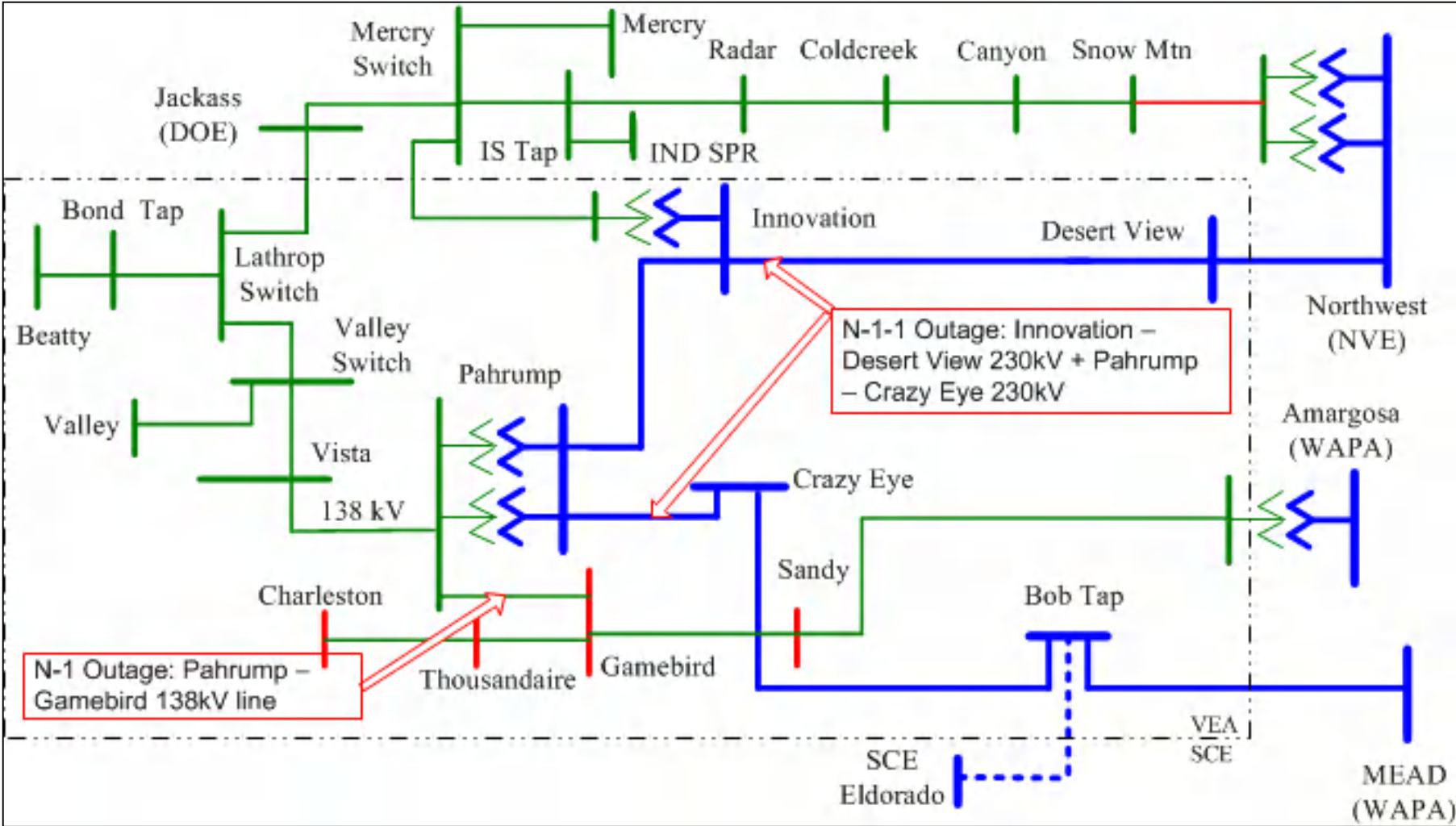


VEA Loads and Resources (MW)

		2014	2018
Load	=	118	125
Transmission Losses	=	2	3
Total Load	=	120	128
Market Generation	=	0	0
Muni Generation	=	0	0
QF/Self-Gen Generation	=	0	0
Total Qualifying Capacity	=	0	0

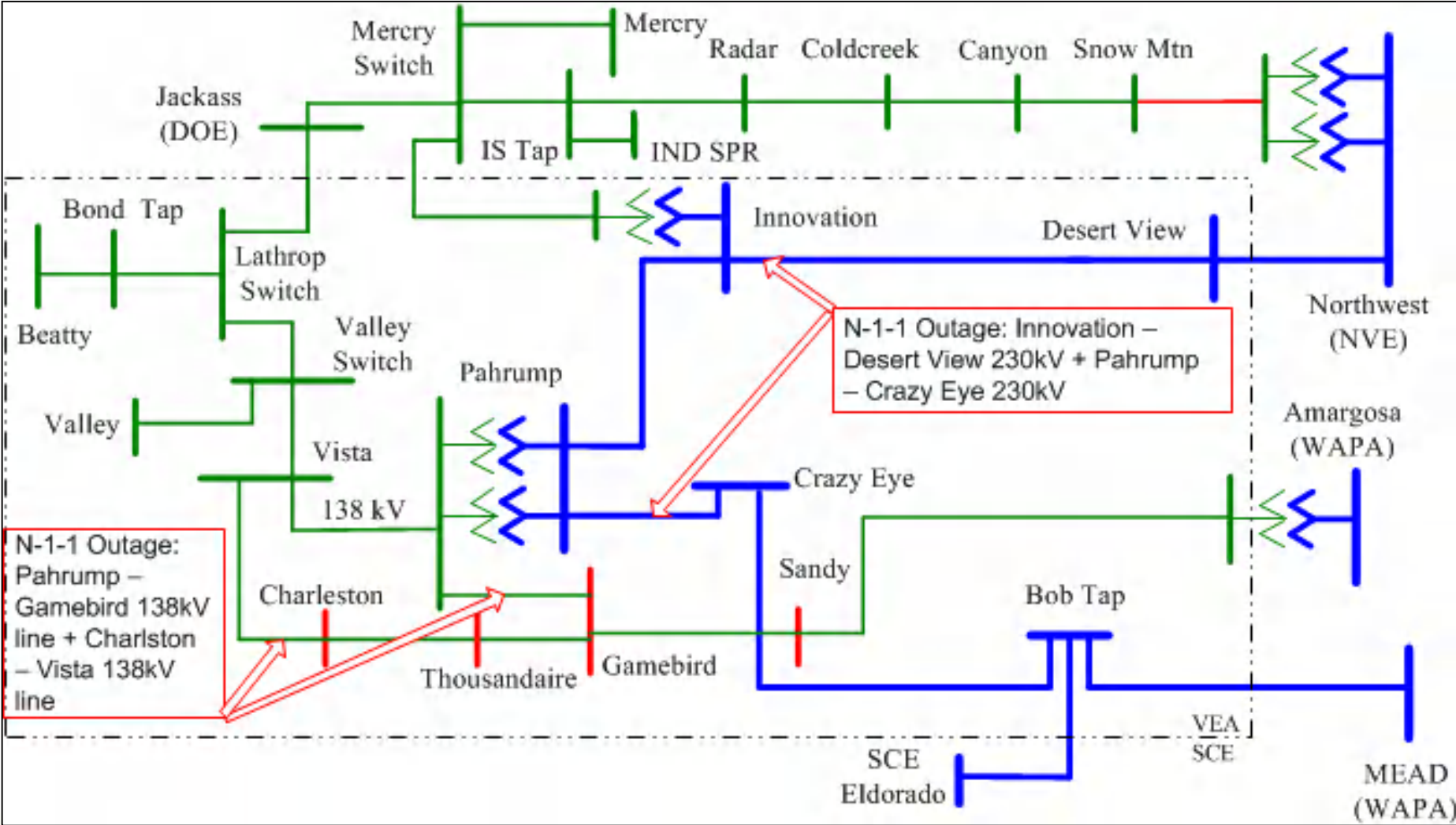
Critical Contingencies

Valley Electric Area 2014



Critical Contingencies

Valley Electric Area 2018



Critical Contingencies Valley Electric Area

VEA Pahrump South Sub-Area – Category B

Contingency: Loss of Pahrump-Gamebird 138 kV Line

Limiting component: Voltage deviation $> 5\%$ at Gamebird, Thousandaire, and Charleston 138 kV Subs

2014 LCR need: Total of 17 MW (includes 17 MW of deficiency)

2018 LCR need: None

VEA Pahrump South Sub-Area – Category C

Contingency: Loss of Pahrump-Gamebird 138 kV Line followed by loss of Charlston – Vista 138kV line

Limiting component: Voltage lower than 0.90 pu at Gamebird, Thousandaire, and Charleston 138 kV Subs

2014 LCR need: Not Applicable

2018 LCR need: Total of 12 MW (includes 12 MW of deficiency)

Critical Contingencies Valley Electric Area

VEA Overall Area – Category B

None.

VEA Overall Area – Category C

Contingency:

Loss of Innovation – Desert View 230 kV line followed by the loss of Pahrump – Crazy Eye 230 kV line or vice versa

Limiting component:

Thermal overload on Northwest – Snow Mtn 138kV line

2014 LCR need: 33 MW (including 33 MW of deficiency)

2018 LCR need: 42 MW (including 42 MW of deficiency)

Changes

Since last year:

- Load forecast did not change
- New Innovation sub was modeled
- Overall VEA area LCR went down by 4 MW
- New Charleston-Vista 138 kV line modeled in 2018 case
- 2018 Long-Term LCR no change from 2017

Since last stakeholder meeting:

- None

Your comments and questions are welcomed

Please send written comments to:
RegionalTransmission@caiso.com