



Extended Day-Ahead Market Working Group 1: *Supply Commitment and Resource Sufficiency Evaluation*

Resource Sufficiency Evaluation details

Facilitator: Mark Richardson

Scribe: Bob Kott

February 14th, 2022

Meeting Cadence: Mondays and Wednesdays, 1 – 3 p.m.

Agenda:

Time:	Topic:	Presenter:
1:00 – 1:05	Welcome/introductions	Kristina Osborne
1:05 – 2:30	Discussion on treatment of Import for purposes for RSE	Danny Johnson
2:30 – 2:50	Tee up discussion for RSE Failure Consequences	Mark Richardson
2:50 – 2:55	Recap of discussion	Bob Kott
2:55 – 3:00	Upcoming topics	Mark Richardson

Reminders:

- These collaborative working groups are intended to foster open dialogue and sharing of ideas and perspectives
- Please raise your hand if you have a question or comment at any time during the meeting and the facilitator will call on you
 - Please start by stating your name and affiliation
- Meetings are recorded and video files posted on corresponding working group webpages
- Stakeholders are welcome to present perspectives at these meetings
 - Please submit a request to present using the link located on the EDAM Resources slide at the end of this presentation

Today's Objectives

- Continue discussion on relevant RSE Scope topics
 - Understand the different Import (WSPP Schedule C) Arrangements that parties have preview to today
 - ISO to propose treatment of these arrangements for purpose of RSE
 - Tee up Failure Consequences

Firm Energy Imports Considerations

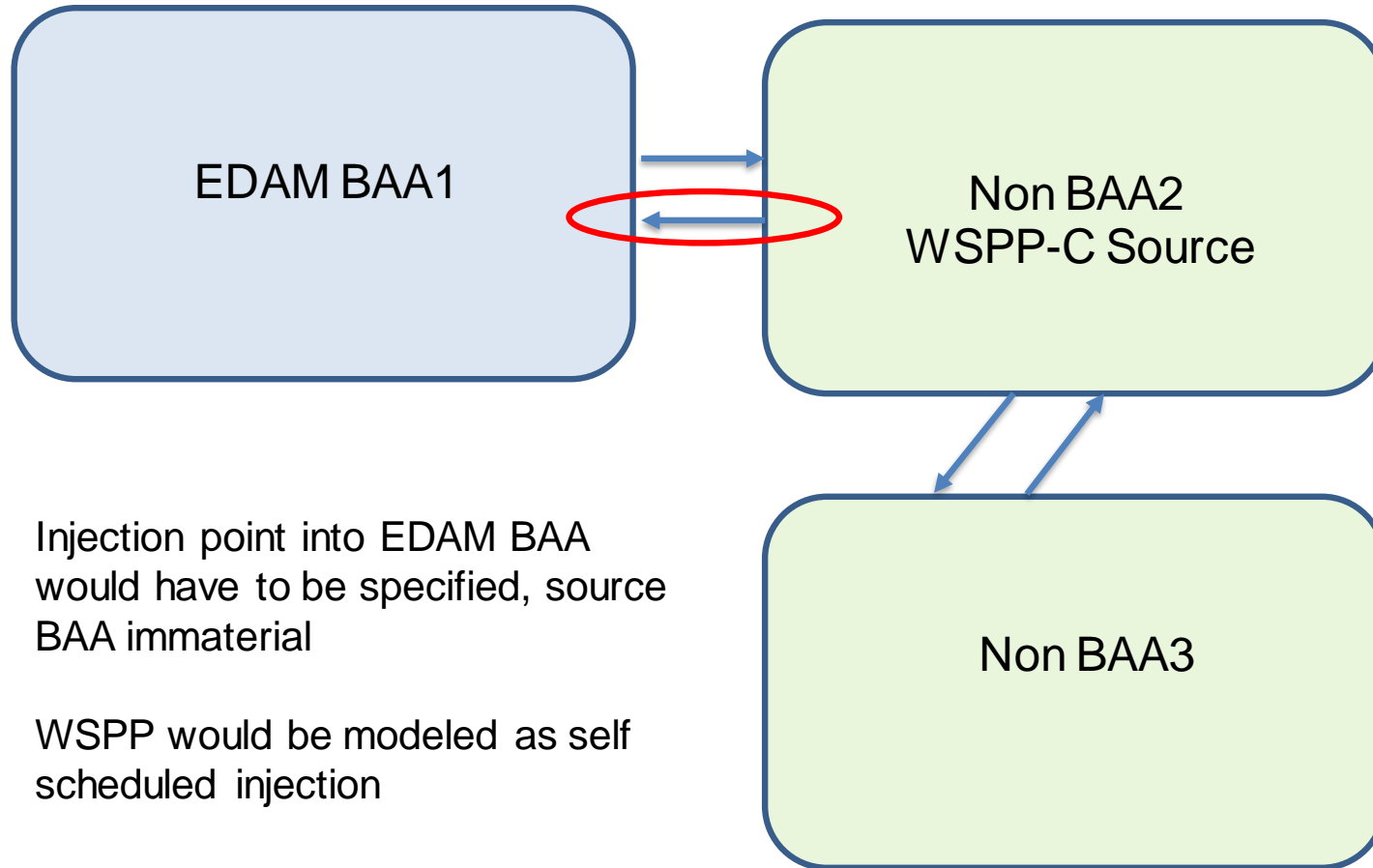
- Firm energy imports are relied upon across the western interconnection to serve load under the varied resource planning and resource adequacy paradigms.
- A common contractual arrangement consists of WSPP Schedule C arrangements.
 - Source and transmission path may not be known by time of DA resource sufficiency evaluation.
 - These firm energy arrangements are commonly utilized by multiple entities across the West.

WSPP Schedule C Arrangements

- Questions to consider and for parties to weigh in;
 - What are do these Arrangements look like?
 - Different variations?
 - When is the source and transmission path known?
 - Is the delivery point to the system static or dynamic?
 - Level of certainty around these MWs being delivered?

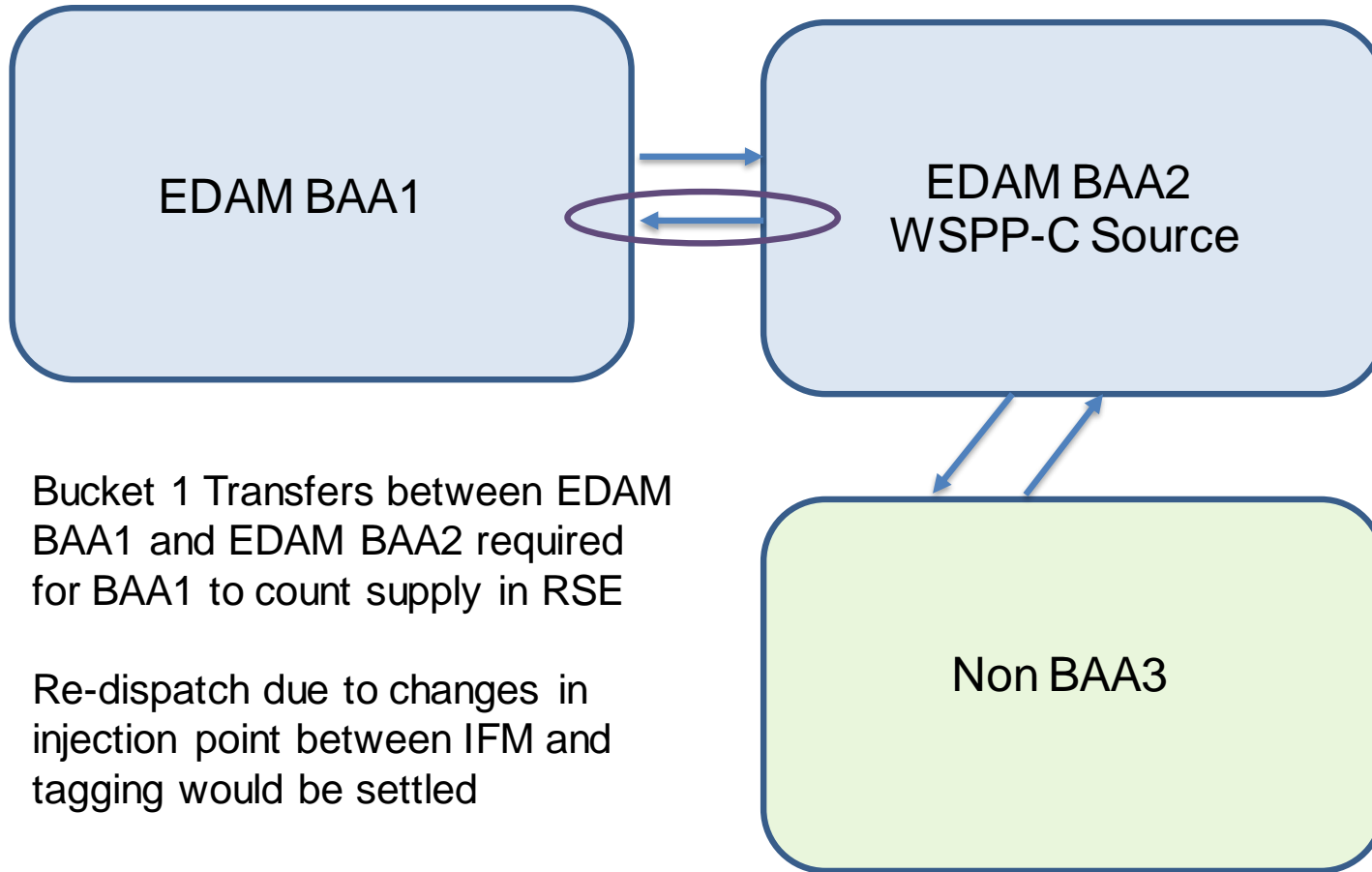
How would these arrangements be reflected to appropriately account in the evaluation?

Example 1 – WSPP Source from non-EDAM BAA



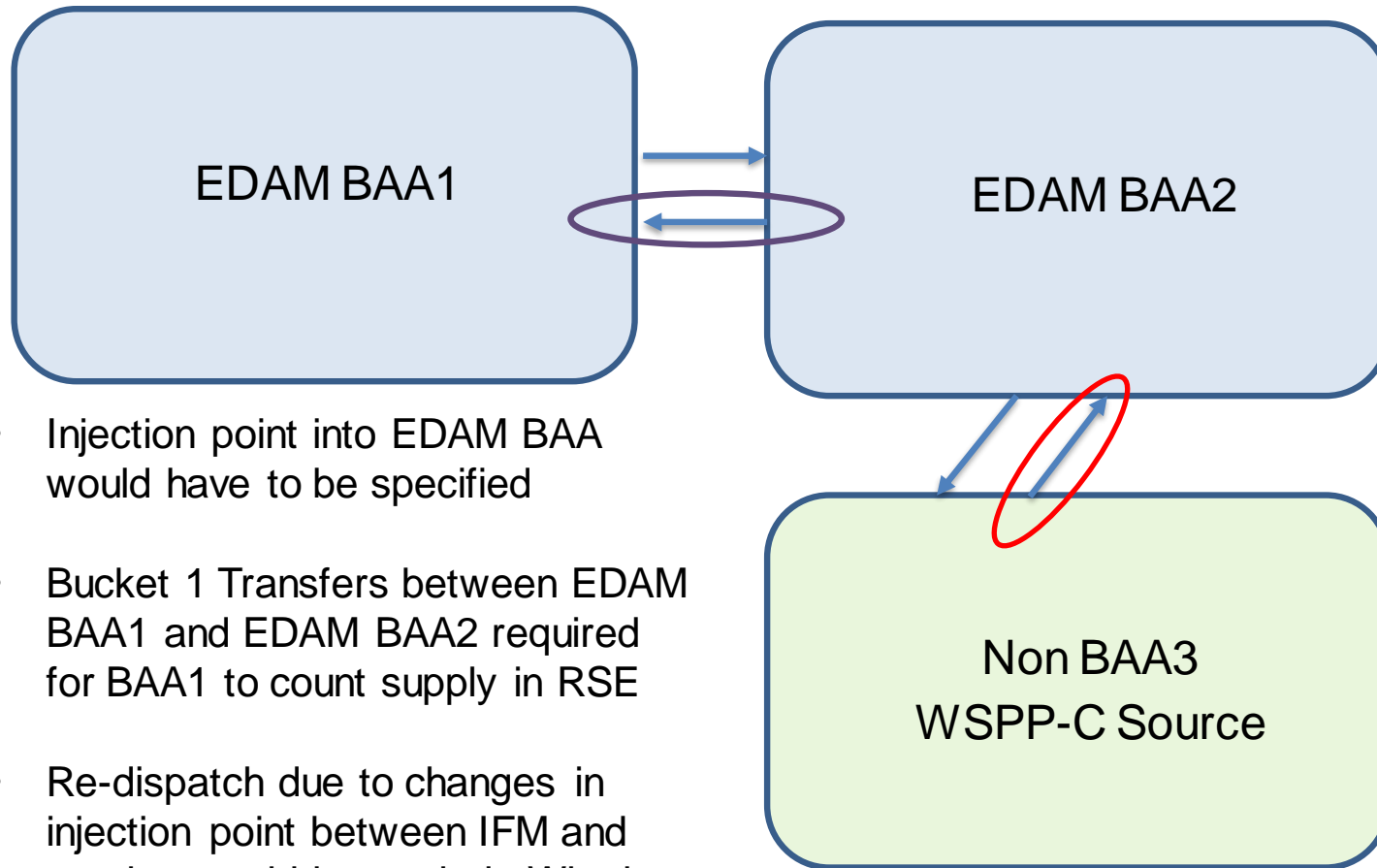
- Injection point into EDAM BAA would have to be specified, source BAA immaterial
- WSPP would be modeled as self scheduled injection
- Re-dispatch due to changes in injection point between IFM and tagging would be settled

Example 2 – WSPP Source from EDAM BAA



- Bucket 1 Transfers between EDAM BAA1 and EDAM BAA2 required for BAA1 to count supply in RSE
- Re-dispatch due to changes in injection point between IFM and tagging would be settled

Example 3 – WSPP Source from non-EDAM BAA that sinks into EDAM in a neighbor EDAM BAA



- Injection point into EDAM BAA would have to be specified
- Bucket 1 Transfers between EDAM BAA1 and EDAM BAA2 required for BAA1 to count supply in RSE
- Re-dispatch due to changes in injection point between IFM and tagging would be settled. Who is responsible for potential re-dispatch costs if EDAM BAA2 point changes?

RSE Failure Consequences

To the extent an Entity fails the RSE; what actions should be taken?

- Limiting participation of transfers
 - If any hour fails, the current thought from the ISO is to limit the failed hour to the Bucket 1 Transfer limit

- Financial penalties
 - Hourly / Daily assessment
 - Frequent failures / Progressive penalties?

Check In

- Continue discussion on relevant RSE Scope topics
 - Understand the different Import (WSPP Schedule C) Arrangements that parties have preview to today
 - ISO to propose treatment of these arrangements for purpose of RSE
 - Tee up Failure Consequences
- Next Steps

Questions?

EDAM Resources

- List of [*Common EDAM design principles and concepts*](#)
- Initiative and working webpages:
 - EDAM initiative webpage:
<https://stakeholdercenter.caiso.com/StakeholderInitiatives/Extended-day-ahead-market>
 - Working Group 1 webpage:
<https://stakeholdercenter.caiso.com/StakeholderInitiatives/Extended-Day-Ahead-Market-Working-Group-1-Supply-Commitment-Resource-Sufficiency-Evaluation>
 - The working group webpages include meeting materials, initial scope items, and weekly summary reports
- Please submit EDAM WG inquiries and/or requests to present at <https://www.surveymonkey.com/r/EDAMWG-Inquiries>
 - Presentations due 5 business days prior to the meeting where they are scheduled to present, if time allows
- [Register](#) for working groups to help the ISO gauge interest and facilitate communication throughout process.
- Nov 30, 2021 Day-Ahead Market Overview Training: <https://youtu.be/lbXRsfVbCg>