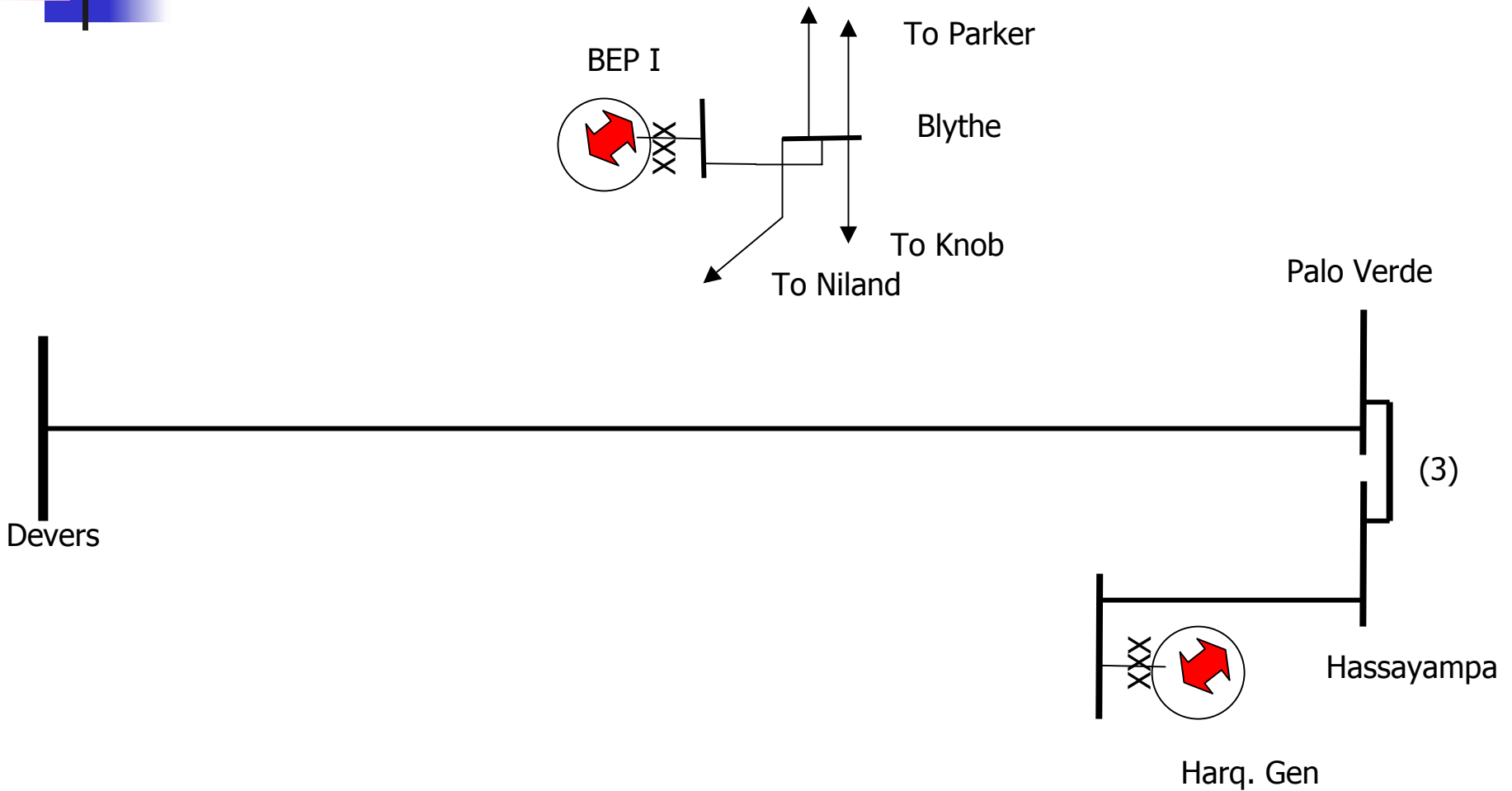
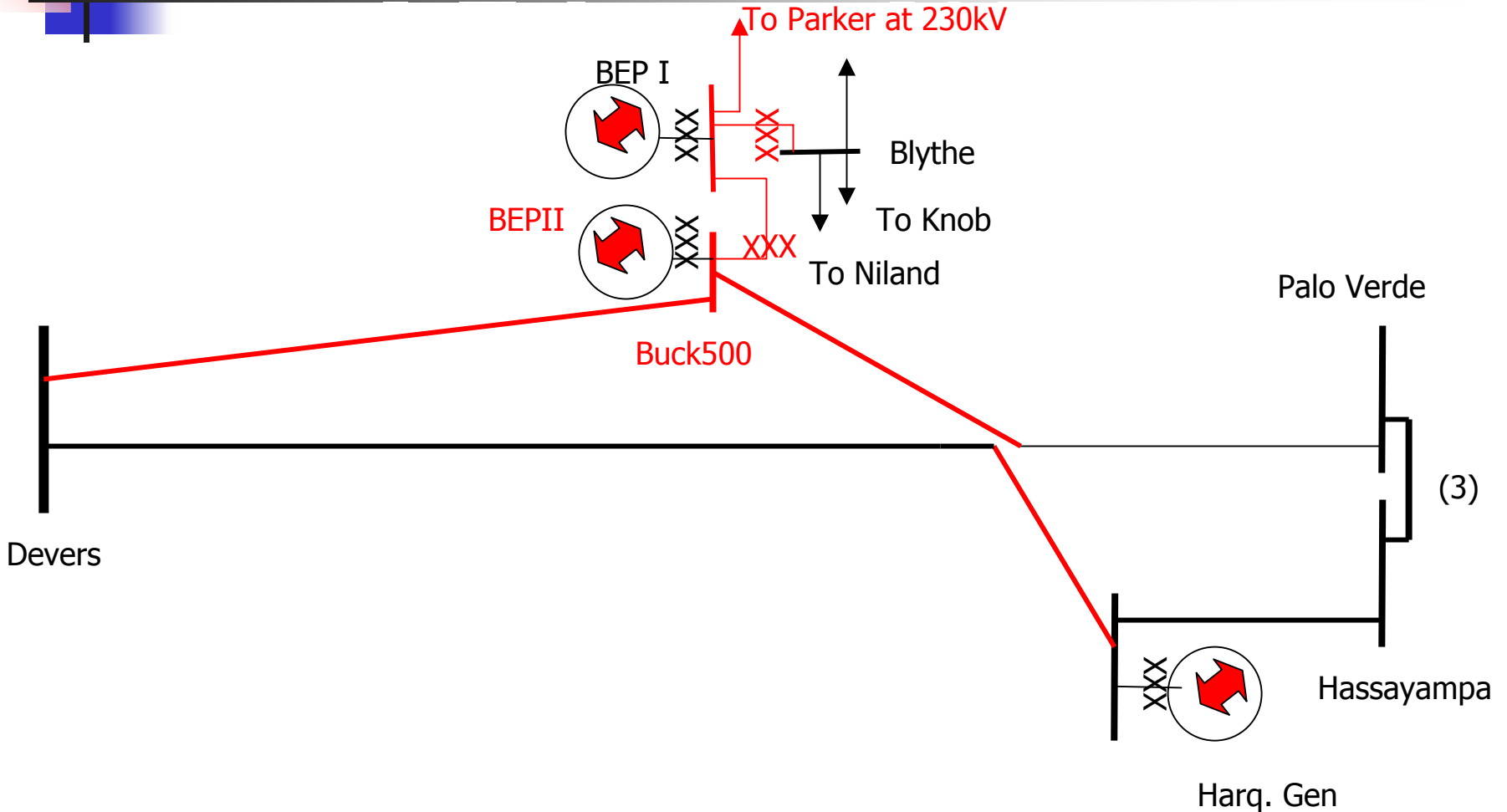


Existing Transmission System



Topology Option 1

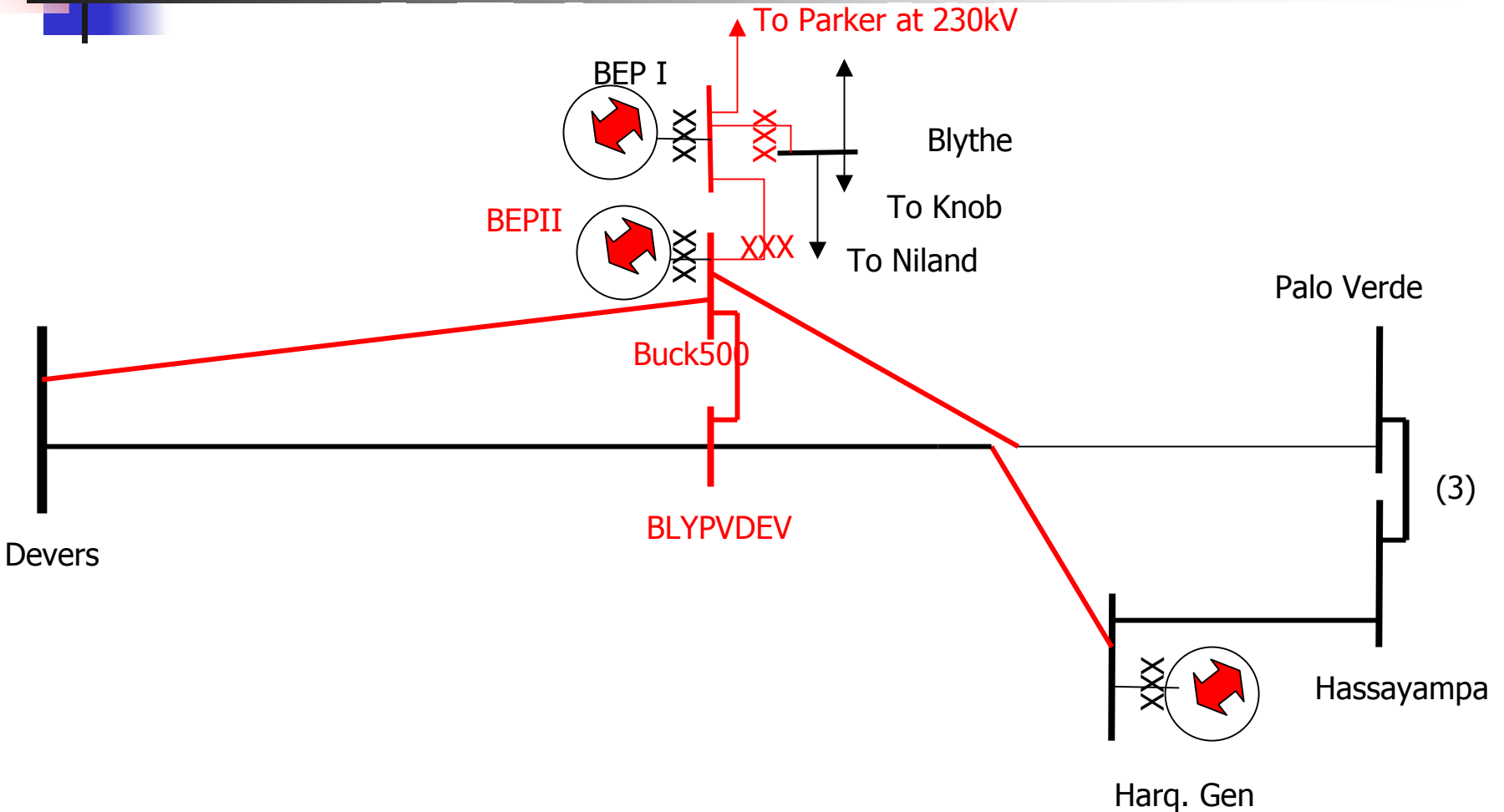


Harquahala Generating Station

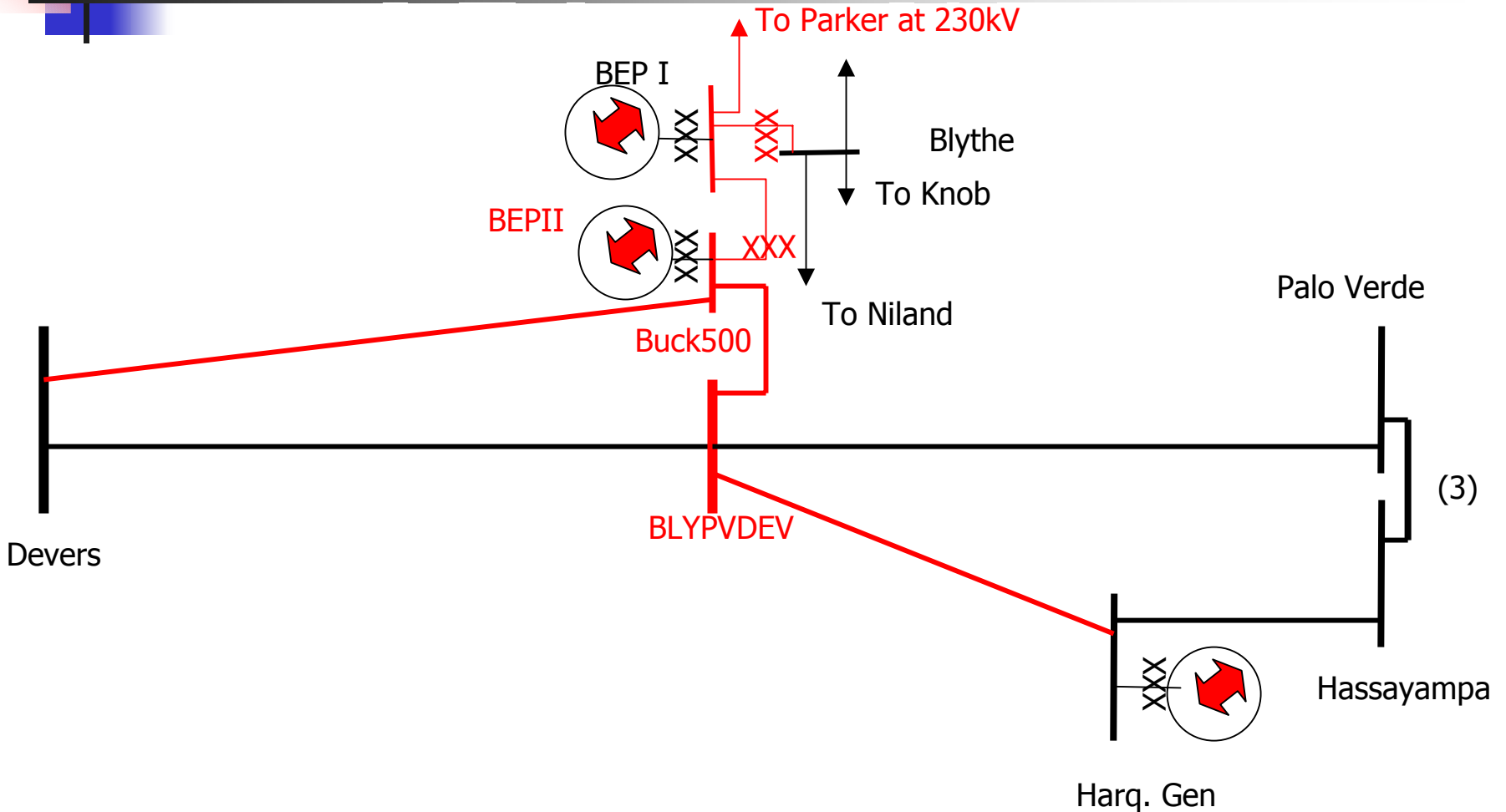


12/2/2003

Topology Option 2



Topology Option 3



Topology Option 4

